

DF125 & DF425
 (12-Volt Directional Feeder)

| | |
|---------------------------|---|
| Welcome | 1 |
| Safety Instructions | 2 |
| Warranty Information..... | 2 |
| Installation | 3 |
| Timer Control | 4 |
| Before You Call | 4 |



Welcome & Congratulations

Congratulations on your purchase of a new Directional Fish Feeder from Texas Hunter Products! We are very proud of our products and completely committed to providing you with the best products and service possible. Your satisfaction is our #1 priority. Please read this Use & Care Manual carefully. It contains valuable information about your new feeder. We know you'll enjoy this great product for years to come. **Thank you** for choosing **Texas Hunter Products**. We hope you consider us for future purchases.

PLEASE READ AND SAVE THESE INSTRUCTIONS. This Use & Care Manual provides specific operating instructions for your new feeder. Use this product only as instructed in this manual. Common sense and caution must be practiced when installing, operating and maintaining your new feeder. **Please record the date and place of purchase below for future reference.**

Model Number: _____ Purchase Date: ____ / ____ / ____ Place Purchased: _____

Texas Hunter Products
 3350 IH 35 North
 San Antonio, Texas 78219
 (210) 734-5189 (800) 969-3337

CAUTION

Important Safety Instructions

DANGER

FAILURE TO COMPLY WITH THESE WARNINGS COULD RESULT IN SERIOUS PERSONAL INJURIES.

- Feed Projectiles. **STAND BACK** during feeder operation.
- Rotating Blade. Keep hands clear.
- Disconnect battery before cleaning or servicing.
- Place where people cannot get in front of feeder during operation.
- Ensure that all hardware is firmly tightened and any battery connections are properly installed prior to testing or operation.
- Use caution when approaching feeder. Safety glasses required during testing or operation within 60 feet of unit.
- Do not allow children to play with or around feeder.

Warranty Information

FEEDER WARRANTY Your Feeder is protected by a 1-Year Warranty. In addition, the EZ Set Digital Timer is protected by the exclusive Texas Hunter 5-Year Limited Warranty outlined below.

| EZ SET DIGITAL TIMER WARRANTY | WARRANTY PERIOD: | WE WILL: | THE CONSUMER WILL BE RESPONSIBLE FOR: |
|---------------------------------|---|---|--|
| ONE-YEAR WARRANTY | One year from original purchase date. | Pay all costs for repairing or replacing any parts of the timer, which prove to be defective in materials or workmanship. | Sending product to address below and enclosing \$8 for return shipping & handling. |
| LIMITED 2ND – 5TH YEAR WARRANTY | Second through fifth years from original purchase date. | Repair or replace Digital Timer unit, which proves to be defective in materials or workmanship. | Sending product to address below, including \$65 for replacement cost and \$4 for return shipping & handling (\$69 total). |

Ship timer to: **Warranty Dept, Texas Hunter Products, 4242 IH-10 East, San Antonio, TX 78219**

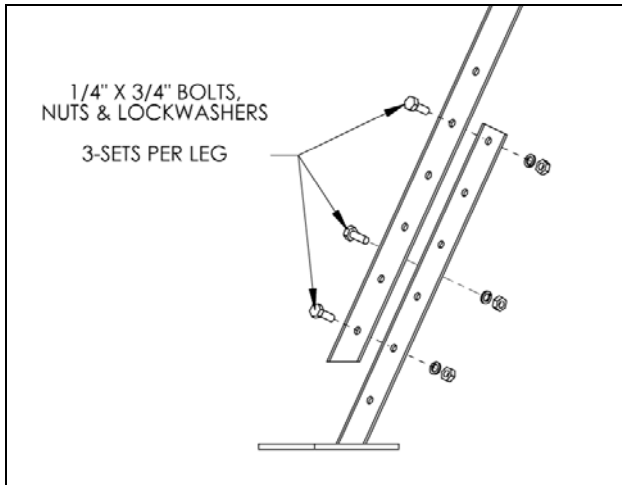
In the U.S.A., your feeder is warranted by Texas Hunter Products. We authorize no person to change or add to any of our obligations under this warranty. Our obligations for service and parts under this warranty must be performed by us or an authorized Texas Hunter Products servicer.

IF YOU NEED SERVICE: Keep your sales receipt, invoice or delivery slip or some other appropriate payment record. The date on the bill establishes the warranty period should service be required. If service is performed, it is in your best interest to obtain and keep all receipts. This written warranty gives you specific legal rights. You may also have other rights that vary from state to state. Service under this warranty must be obtained by contacting Texas Hunter Products. This warranty only applies in the 50 States of the U.S.A. Product features or specifications as described or illustrated are subject to change without notice. All warranties are made by Texas Hunter Products. Contact: Texas Hunter Products, 4242 IH 10 East, San Antonio, TX 78219. (800) 969-3337. **NORMAL RESPONSIBILITIES OF THE CONSUMER: This warranty applies only to products in ordinary outdoor use, and the consumer is responsible for the items listed below:** 1. Proper use of the feeder in accordance with instructions provided with the product. 2. Proper assembly in accordance with the instructions provided with the feeder. 3. Proper connection to the specified battery type. 4. Damages to finish after installation. **EXCLUSIONS: This warranty is NOT TRANSFERABLE and does not cover the following:** 1. CONSEQUENTIAL OR INCIDENTAL DAMAGES SUCH AS PROPERTY DAMAGE AND INCIDENTAL EXPENSES RESULTING FROM ANY BREACH OF THIS WRITTEN OR ANY IMPLIED WARRANTY. Note: Some states do not allow the exclusion or limitation of incidental or consequential damages, so this limitation or exclusion may not apply to you. 2. Repair service fees, which do not involve malfunction or defects in workmanship or material, or for feeder not in ordinary outdoor use. The consumer shall pay for such repair service fees. 3. Damages caused by services performed by servicers other than Texas Hunter Products or its authorized servicers; use of parts other than genuine Texas Hunter Products parts; external causes such as abuse, misuse, inadequate power supply, water damage or acts of God.

Installation Instructions

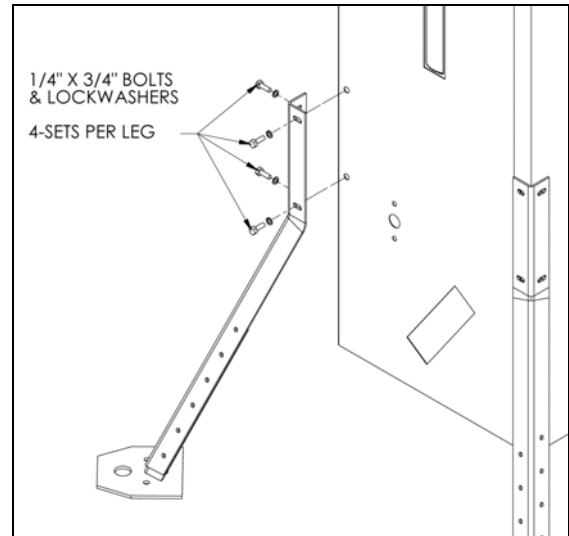
STEP # 1

(Skip if using Straight Dock Legs)
Assemble the 2 piece legs as shown to the desired height. Each leg may be adjusted separately in order to level the unit on uneven terrain.



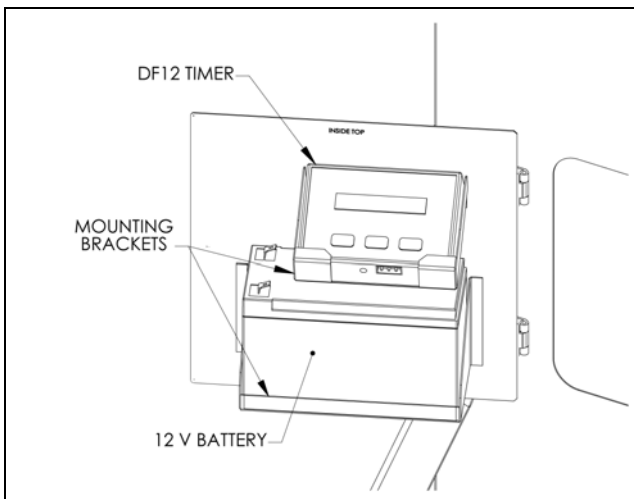
STEP # 2

Attach the legs to the feeder hopper on all 4 vertical corners as shown below. Note: Nut-serts are pre-installed in the feeder corners for your convenience.



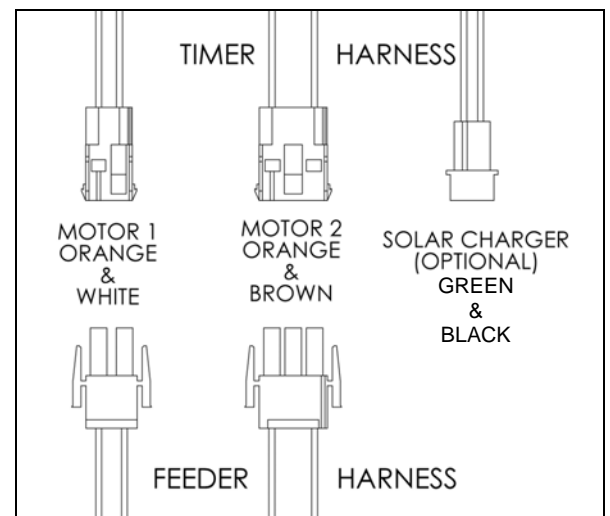
STEP # 3

Open the latched timer door. The interior of the door carries the battery and timer unit. Install them as shown below.



STEP # 4

Connect the timer wiring harness to the motors & battery terminals using the wire colors as a guide. The internal motors have matching wire colors and one-way locking safety connectors, see below.



STEP # 5

Secure feeder to ground, dock or other structure using the 24" stakes (or lag bolts) provided.

QUESTIONS?

Call us toll free (800) 969-3337
M-F 8am – 5:30pm CST

EZ SET Timer Control

Menu Button is used to Scroll.

Select Button selects the hours, minutes or seconds. Selected number will blink.

Set Button Advances the selected (blinking) hours, minutes or seconds after selecting with the Select Button.

The Display has a built-in screen saver. Display turns off after 60 seconds of inactivity to conserve power - timer is still working. Pressing the **Menu** button will re-activate the display.



1. Connect the Battery. Important: This feeder requires a 12-volt rechargeable battery to ensure proper motor function. Connect the Positive (+) Red wire and Negative (-) Black wire to the battery. Press **Menu** button twice to display Battery condition.

2. Set the Time of Day. Press the **MENU** button until the display reads "Time is." Press the **Select** button and the number in the hours position will blink. Use the **Set** button to change the hours. To the right of the time you will see "a" for AM and "p" for PM. Repeat the process for the minutes setting.

3. Set Feed Times. Press the **Menu** button until the display reads "Feed1". Set the feed time using the **Select** and **Set** buttons just as you did in step 2. After setting the feed time, press the **Select** button to select the motor run time and use the **Set** button to change the setting. You may feed from 1 to 60 seconds. Press **Menu** button and repeat these steps to set the remaining feed times. You may feed up to 9 times per day. To turn a feed time off, press **Menu** button to display the feed event. Press the **Select** button and the motor run time will blink. Use the **Set** button to increase the seconds to "OFF".

4. Test the Timer. Press the **Menu** button until the display reads "Test Run For." Press the **Select** button and the number for seconds will blink. Use the **Set** button to set the test time in seconds. **Press the Menu button to initiate the test procedure.** The display will read "Push key to STOP". You may press any key to stop the test or just wait and a 10 second countdown will begin to allow you to **move away from the feeder**. The unit will then run for the number of seconds you set.

5. Questions? Call (800) 969-3337. Hours: M-F 8am – 5:30pm CST

(800) 969-3337

Or visit our website at
www.TexasHunterProducts.com

Before You Call

| | |
|--|---|
| <p>Timer operates, but Feeder will not dispense feed:</p> | <p>This feeder was specially designed for easy access to the blower assembly and quick troubleshooting. Simply remove the side panel to view the entire feed flow system. If there is a clog, you'll immediately be able to diagnose and correct the problem through the removable clear polycarbonate panel.</p> |
| <p>Timer operates, but only activates motor for less than one second:</p> | <p>Batteries must be of ample size to operate unit. We recommend using 12-volt 7-amp rechargeable batteries. Fair or Poor battery condition may cause the unit to short-cycle, especially in freezing conditions.</p> |
| <p>Timer Display doesn't read correctly:</p> | <p>Disconnect battery terminals and wait 30 seconds for memory to clear, then reconnect.</p> |